

MX 1016

THE RAISING POWER



MX – TX

The TX series stackers are characterized by manual traction and electrohydraulic lifting technology. These stackers are very steady and are suitable for lifting very heavy loads safely. Version 12 (1.2 t) includes polyurethane wheels as standard to reduce resistance and effort required even with full load capacity.

MX

MX series is not only an excellent compromise between price and performance but is also a very resistant machine. Reinforced forks, a pulley made of steel and forks driven by 4 rollers to the position set are some of the main features of the high quality of this stacker. The machine is also equipped with a foot pedal for the lifting of forks, which considerably reduces the operator's effort.



TX STRADDLE

The main feature of the Straddle series, which is available for the TX models, is the possibility to adjust the forks and the clamps for great versatility in the handling of loads of different sizes.



START KEY AND BATTERY CUT-OFF (ISOLATOR) SWITCH

The start key on the TX stacker performs a double function:

- switches the stacker on/off;
- is an emergency control, i.e. it completely stops battery power supply and thus prevents the lifting of forks.



FOOT BRAKE

The foot brake, which is available on the MX and TX machines, performs the parking brake function.



TILLER

- The plastic cover increases the ergonomic character of the handle thus rendering the raising and transport operations even "lighter".
- The 3-position control lever (down, neutral, up) is positioned on the steering wheel to foster manoeuvrability.



ADJUSTABLE BUFFERS

The TX 12 version is equipped with adjustable buffers that minimize possible oscillation during lifting.



Description

1.1 Manufacturer			LIFTER
1.3 Drive			Manual
1.4 Operator type			Pedestrian
1.5 Load capacity	Q	Kg	1000
1.6 Load centre distance	c	mm	600
1.8 Load axle to end forks	x	mm	800
1.9 Wheel base	y	mm	1240

Weights

2.1 Service weight (battery included)		Kg	210
2.1 Service weight, With platform - battery included		Kg	NOT APPLICABLE
2.2 Axle load, laden rear		Kg	901
2.2 Axle load, laden front		Kg	309
2.3 Axle load, unladen front		Kg	129
2.3 Axle load, unladen rear		Kg	81

Tyres/Chassis

3.1 Tyres: front wheels			NOT APPLICABLE
3.1 Tyres: stabilizers wheels - Front			NYLON
3.1 Tyres: rear wheels			NYLON
3.2 Tyre size: Steering wheels - Width	mm		NOT APPLICABLE
3.2 Tyre size: Steering wheels - Diameter	mm		NOT APPLICABLE
3.3 Tyre size: Load rollers - Diameter	mm		80
3.3 Tyre size: Load rollers - Width	mm		70
3.4 Tyre size: stabilizers wheels front - Diameter	mm		150
3.4 Tyre size: stabilizers wheels front - Width	mm		40
3.5 Tyre size: rear wheels - Q.ty (X=driven)		nr	2
3.6 Tread, front	b10	mm	600
3.7 Tread, rear	b11	mm	380

Dimensions

4.2 Height, mast lowered	h1 mm	2080
4.3 Normal free lifting	h2 mm	1510
4.4 Lift height	h3 mm	1510
4.5 Height, mast extended	h4 mm	2080
4.6 Initial lift	h5 mm	NOT APPLICABLE
4.9 Height of tiller in drive position max	h14 mm	1090
4.15 Height, lowered	h13 mm	90
4.19 Overall length	l1 mm	1690
4.19 Overall length with lowered platform	l1 mm	NOT APPLICABLE
4.19 Overall length with raised platform	l1 mm	NOT APPLICABLE
4.20 Length to face of forks	l2 mm	540
4.20 Length to face of forks with lowered platform	l2 mm	NOT APPLICABLE
4.20 Length to face of forks with raised platform	l2 mm	NOT APPLICABLE
4.21 Overall width	b1 mm	740
4.22 Fork dimensions - Thickness	s mm	60
4.22 Fork dimensions - Width	e mm	170
4.22 Fork dimensions - Length	l mm	1150
4.24 Fork carriage width	b3 mm	550
4.25 Distance between fork arms	b5 mm	550
4.26 Distance between legs	b4 mm	NOT APPLICABLE
4.32 Ground clearance, centre of wheelbase	m2 mm	30
4.34 Aisle width	Ast mm	2166
4.34 Aisle width with lowered platform	Ast mm	NOT APPLICABLE
4.34 Aisle width with raised platform	Ast mm	NOT APPLICABLE
4.35 Turning radius	Wa mm	1400
4.35 Turning radius with lowered platform	Wa mm	NOT APPLICABLE
4.35 Turning radius with raised platform	Wa mm	NOT APPLICABLE

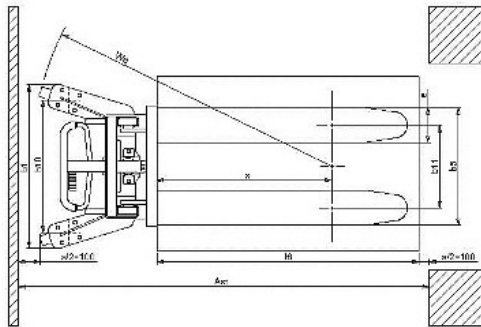
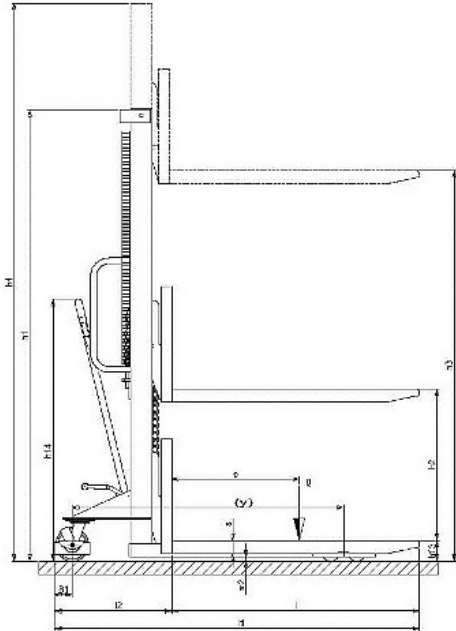
Performance data

5.1 Travel speed laden	Km/h	NOT APPLICABLE
5.1 Travel speed unladen	Km/h	NOT APPLICABLE
5.1 Travel speed laden with platform in raised position or with raised forks	Km/h	NOT APPLICABLE
5.1 Travel speed unladen with platform in raised position or with raised forks	Km/h	NOT APPLICABLE
5.2 Lifting speed laden	m/s (strokes)	73
5.2 Lifting speed unladen	m/s (strokes)	73
5.3 Lowering speed laden	m/s	0.12
5.3 Lowering speed unladen	m/s	0.03
5.8 Max gradeability laden	%	NOT APPLICABLE
5.8 Max gradeability unladen	%	NOT APPLICABLE
5.10 Service brake		NOT APPLICABLE

Electric motors

6.1 Drive motor power	kW	NOT APPLICABLE
6.2 Lift motor power	kW	NOT APPLICABLE
typ baterii		NOT APPLICABLE
6.4 Battery voltage	V	NOT APPLICABLE
6.4 Battery capacity, Min	Ah	NOT APPLICABLE
6.4 Battery capacity, Max	Ah	NOT APPLICABLE
6.5 Battery weight, Min	Kg	NOT APPLICABLE
6.5 Battery weight, Max	Kg	NOT APPLICABLE
6.6 Energy consumption according to VDI cycle	kWh/h	NOT APPLICABLE
8.4 Sound level at driver's ear	dB(A)	NOT APPLICABLE

Integrated battery and battery charger



The information is aligned with the Data file at the time of download. Printed on 07/02/2017 (ID 644)

©2016 | PR INDUSTRIAL s.r.l. | All rights reserved | Image shown may not reflect actual package. Specifications subject to change without notice

