

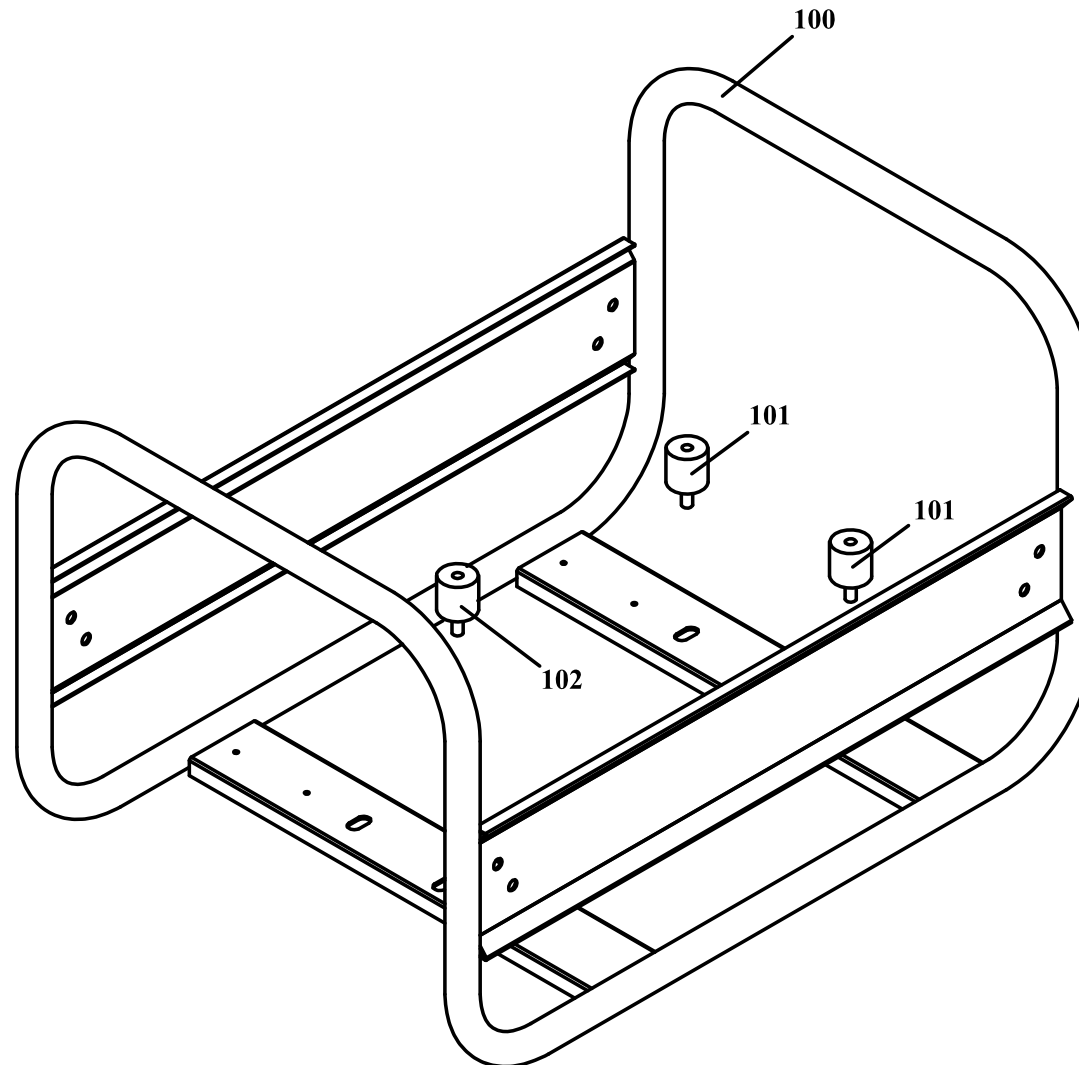
Spare Parts Catalogue

E8000-TRIPHASE

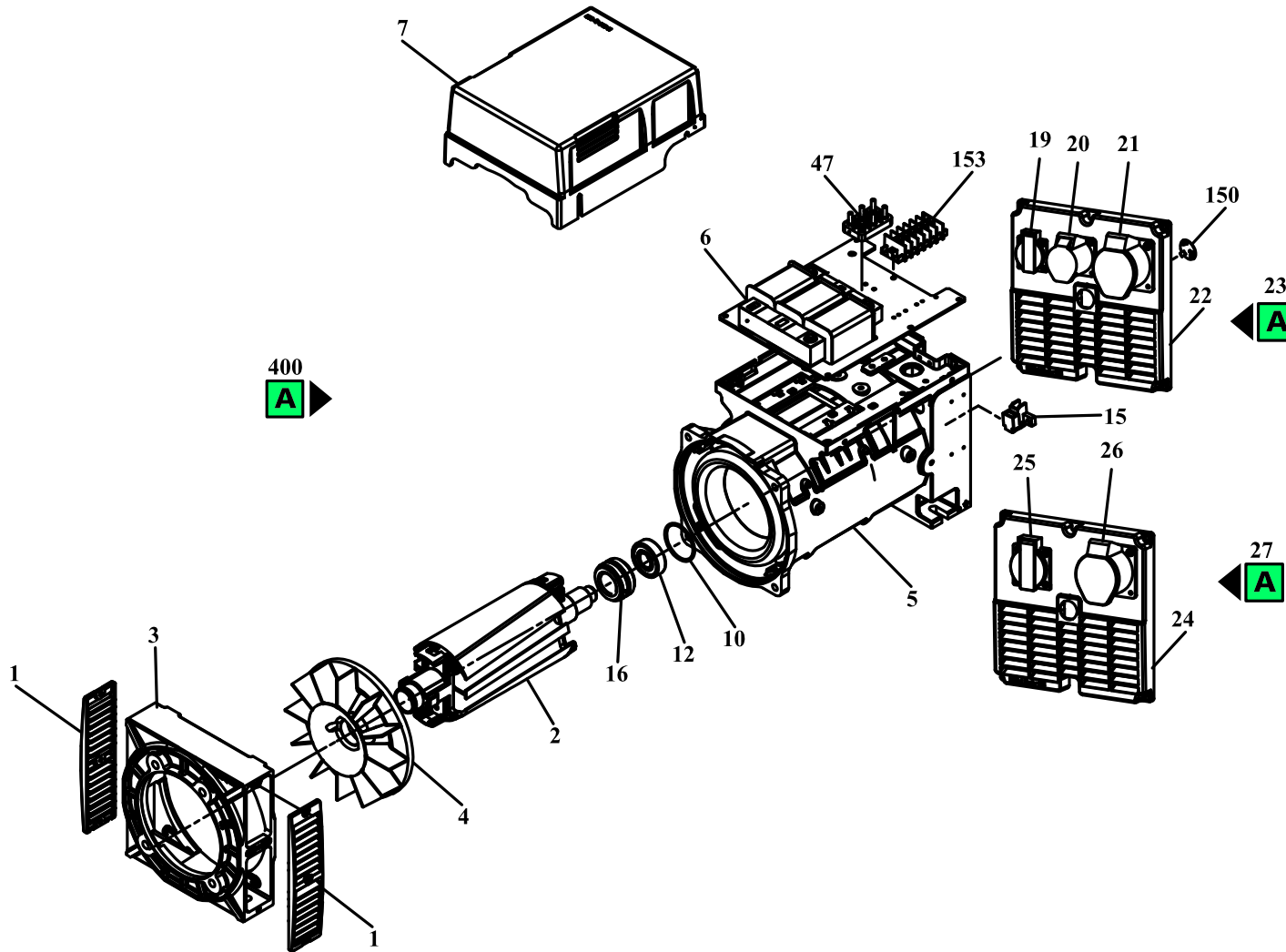
Generating sets

Valid for machine code: PA702THI000

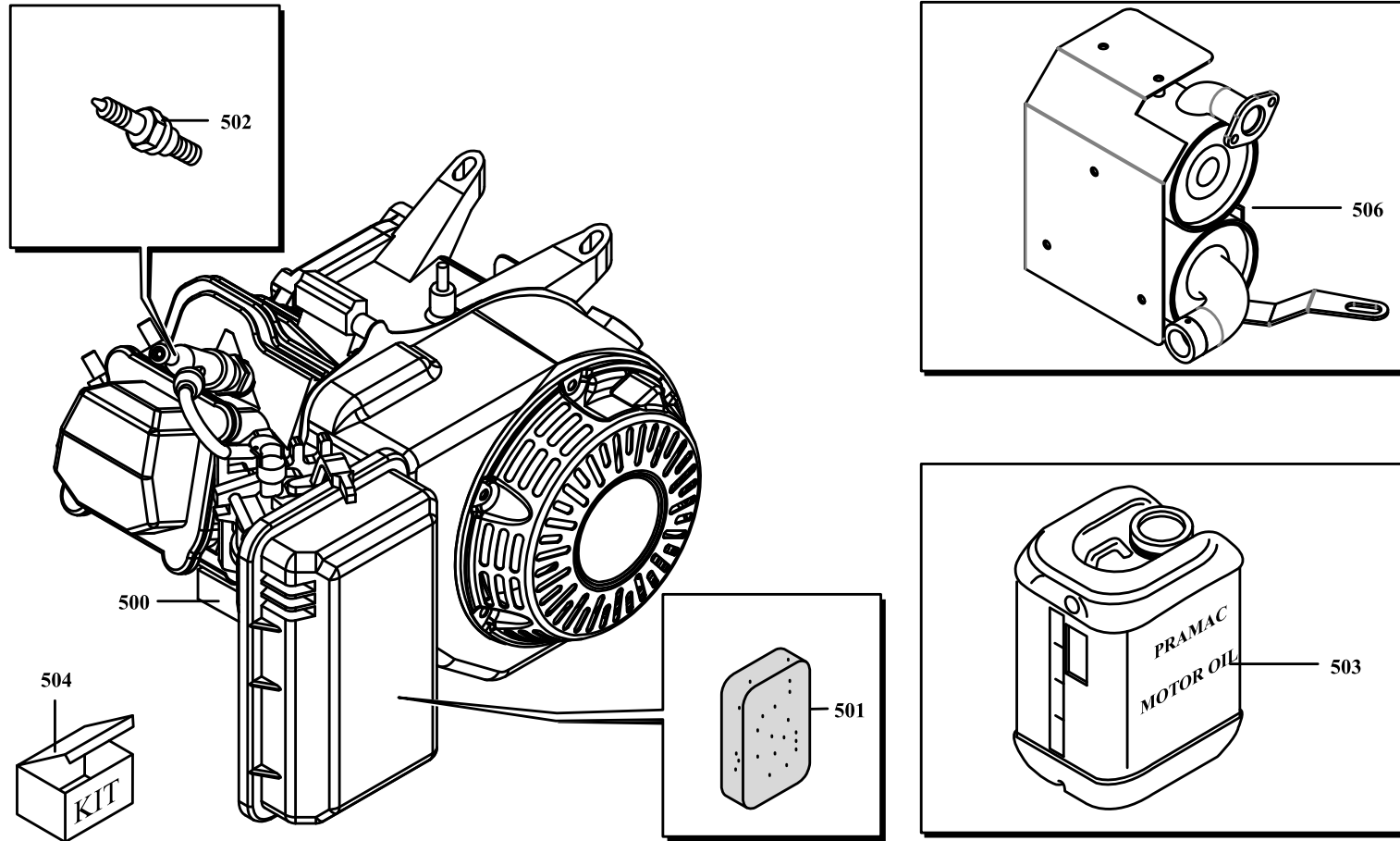
Revision: 0 (05/2007)



| POSITION | PART NUMBER | DESCRIPTION | NOTES |
|----------|----------------------|---|---|
| 100 | ▲ V71750202-PRAMACB | TUBULAR FRAME COMPL. E 6500 SHHPI PAINTED | Attention: this item is valid for machines produced until 29/10/2007 Interchangeable: NO |
| 100 | ▲ VA40025001-PRAMAC | COMPLETE FRAME 5000 PAINTED | Attention: this item is valid for machines produced from 29/10/2007 until 18/09/2014 Interchangeable: NO |
| 100 | ▲ VA40025008-PRAMACB | FRAME PAINTED E5000/8000 | Attention: this item is valid for machines produced from 18/09/2014 Interchangeable: NO |
| 101 | G052112 | CYLINDRIC SILENT-BLOCK MF-30x30-M8x15-M8-60 | |
| 102 | G052116 | CYLINDRIC SILENT-BLOCK MF-40x45-M10x25-M10-45 | |



| POSITION | PART NUMBER | DESCRIPTION | NOTES |
|----------|------------------|---|--|
| 1 | PAN1GGA10010 | RETE DI PROTEZIONE | |
| 3 | PAN3SLA10012 | SCUDO ANTERIORE J609 | |
| 4 | PAN1VGA10003 | FAN | |
| 6 | PAN5CA12033 | COMPOUND COMPLETO AIT | |
| 7 | PAN3CT12H0912 | CUFFIA SUP+DISGIUNTORE | |
| 10 | G53518 | GASKET OR 2187 d=1,78 de=47,35 | |
| 12 | G010401 | BEARING 6204 2RS (20-47-14) | |
| 15 | G70181 | BRUSHES SET EG3-A L=300 | |
| 16 | G70180 | SLIP RING ALT. EG 3-A | |
| 19 | G071131 | SOCKET SUBASSEMBLY, POWER SUPPLY | |
| 20 | PAN7ME0026 | SOCKET 2P+T 240 V - blue | |
| 21 | G071126 | PANEL MOUNT SOCKET 3P+N+T 400V 16A IP44 CEE | |
| 22 | PAN00007 | ALT. COVER 1SCHUKO-1CEE MF-1CEE TF | |
| 23 | PAN00008 | ALT. COVER 1SCHUKO-1CEE MF-1CEE TF | |
| 24 | PAN1GGA100113 | CCUFFIA ASPIRAZ.ARIA PRED.X SE-M-T100 1CEE 1 SCHUKOUFFIA PREDISPOSTA SE-M-T100 | |
| 25 | G071131 | SOCKET SUBASSEMBLY, POWER SUPPLY | |
| 26 | G071126 | PANEL MOUNT SOCKET 3P+N+T 400V 16A IP44 CEE | |
| 27 | PAN3T12WX2S | ALT. COVER T100 SCHUKO+CEE TP | |
| 47 | PAN7MTP060502 | MORSETTIERA UTILIZZAZIONE | |
| 400 | ▲ AIT7000AB0EAGZ | ALT.T100SC 7.0/230/400/50/3000 J609b | Attention: this item is valid for machines produced until 09/01/2012 Interchangeable: YES |
| 400 | ▲ ANT7000AB0AAGY | ALTERNATOR Z100SC 7,0/230/400/50/3000 J609b - COVER SCHUKO 16A + SINGLE PHASE SOCKET 230V 16A CEE STRAIGHT + 3PHASE SOCKET 400V 16A CEE STRAIGHT - SPECIAL 3PHASE THERMAL TILTING BREAKER - 1 SINGLE PHASE BREAKER - IP23 - NSM | Attention: this item is valid for machines produced Interchangeable: NO |
| 400 | ▲ ANT7000AB0AAGZ | ALTERNATOR T100SC 7,0/230/400/50/3000 J609b - COVER SCHUKO 16A + SINGLE PHASE SOCKET 230V 16A CEE STRAIGHT + 3PHASE SOCKET 400V 16A CEE STRAIGHT - SPECIAL 3PHASE THERMAL TILTING BREAKER - 1 SINGLE PHASE BREAKER - IP23 - NSM | Attention: this item is valid for machines produced from 09/01/2012 Interchangeable: YES |



| POSITION | PART NUMBER | DESCRIPTION | NOTES |
|----------|------------------|--|--|
| 500 | ▲ EHA130BB33Z | Engine Honda GX390K1 VXB7 Air_3000_Mech_J609b-_Handstart__Ver/Sp: | Attention: this item is valid for machines produced until 13/06/2006 Interchangeable: NO |
| 500 | ▲ EHA130BB33Y | Engine Honda GX390U1 VXB9 Air_3000_Mech_J609b-_Handstart__Ver/Sp: | Attention: this item is valid for machines produced from 14/06/2006 until 07/03/2011 Interchangeable: YES |
| 500 | ▲ EHA130BB33X | Engine Honda GX390UT2 VXB9 Air_3000_Mech_J609b-_Handstart__Ver/Sp: | Attention: this item is valid for machines produced from 07/03/2011 Interchangeable: YES |
| 501 | PEH17210-ZE3-505 | AIR FILTER GX390 GX270 EX REF: ZE3-010 | |
| 502 | PEH98079-56846 | SPARK PLUG BPR6ES | |
| 503 | P3KI00299 | Kit Pramac Power | |
| 506 | VA40016008-9005O | COMPLETE PRAMAC MUFFLER PAINTED x GX390 | |